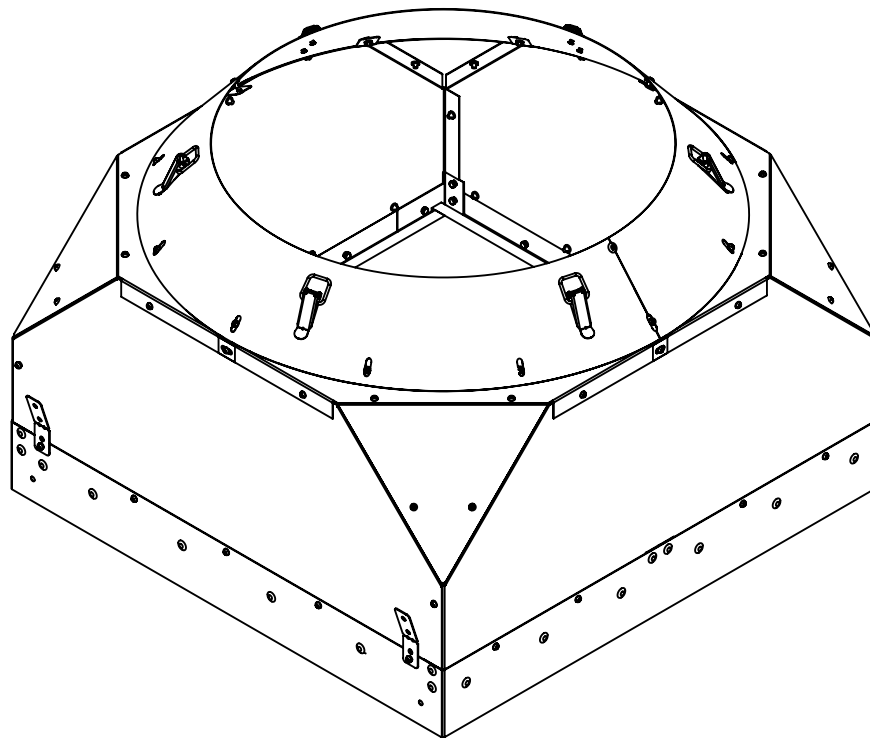
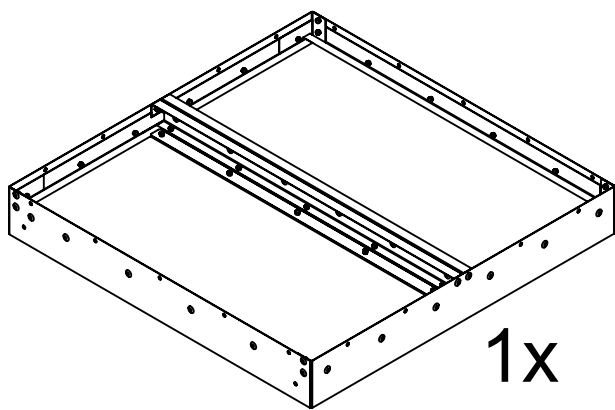


Thank you for your purchase



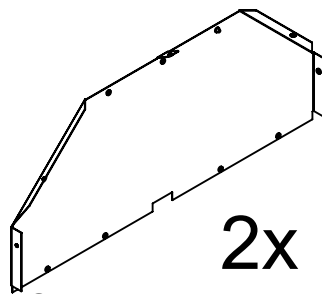
BDKD16

**Backdraft
Damper**



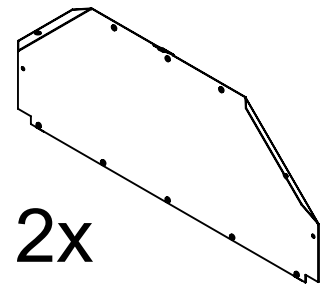
Damper Door Base

1x



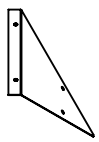
Side Panel (with cut)

2x



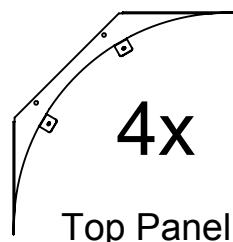
Side Panel

2x



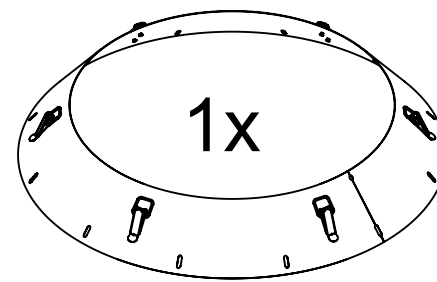
Corner Panel

4x



Top Panel

4x



Cone Assembly

1x



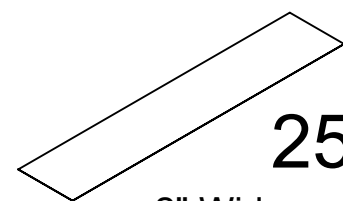
Mounting Bracket

4x



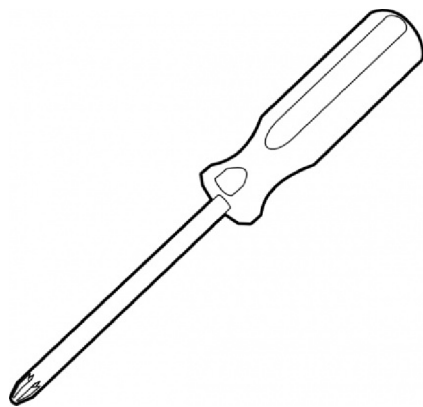
62x
#6-32 x 1/4"
Phillips Head Screw

62x



25ft
2" Wide
Aluminum Tape

25ft

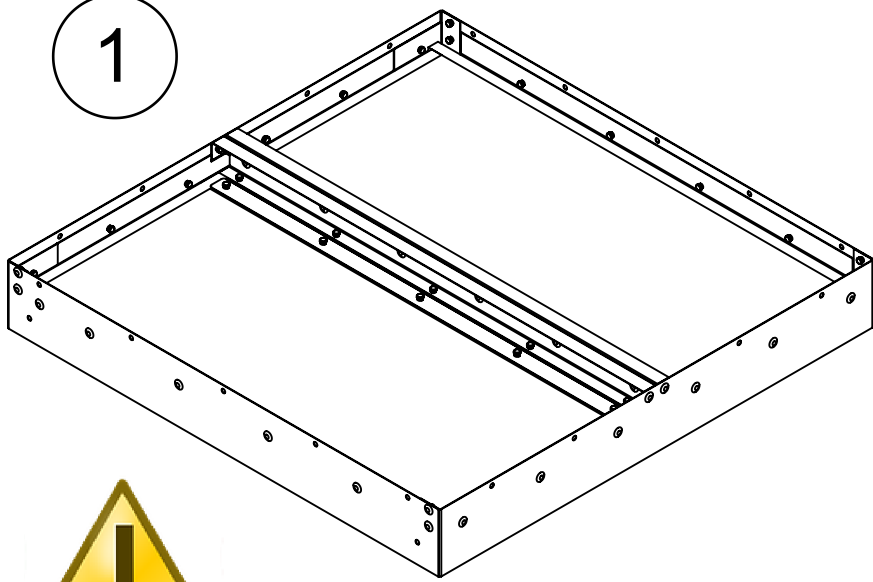


Philips Head Screw
Driver (not included)



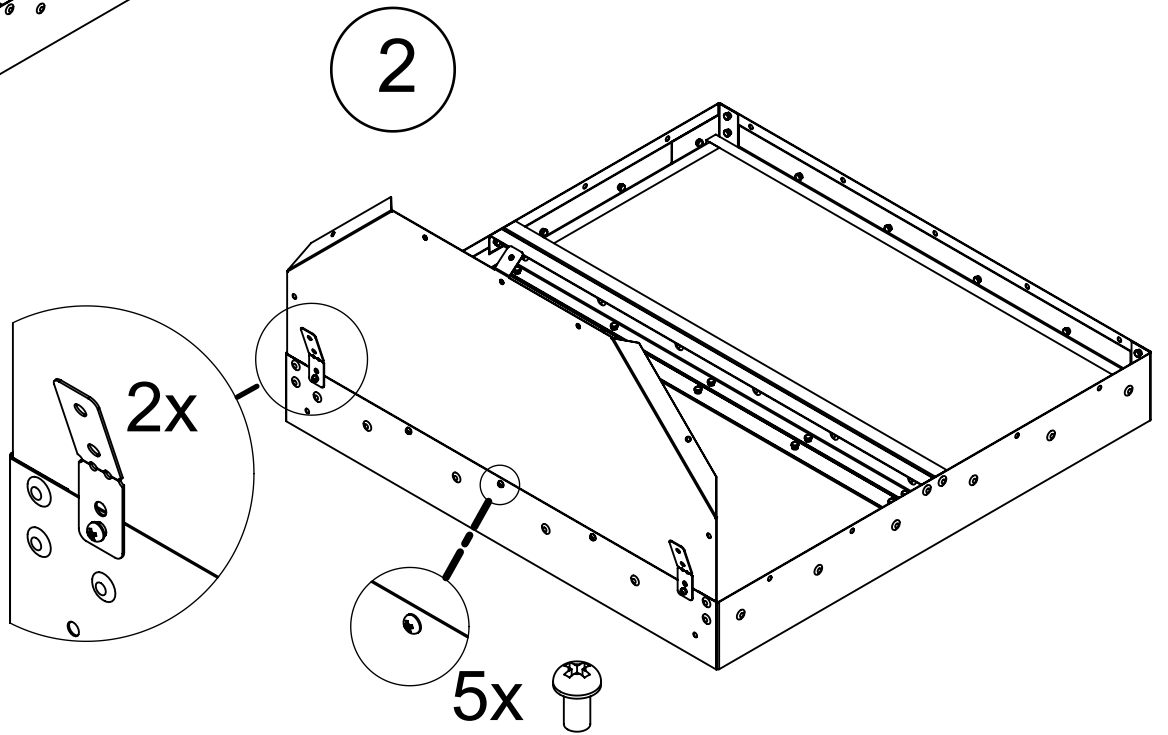
Gloves
(not included)

1

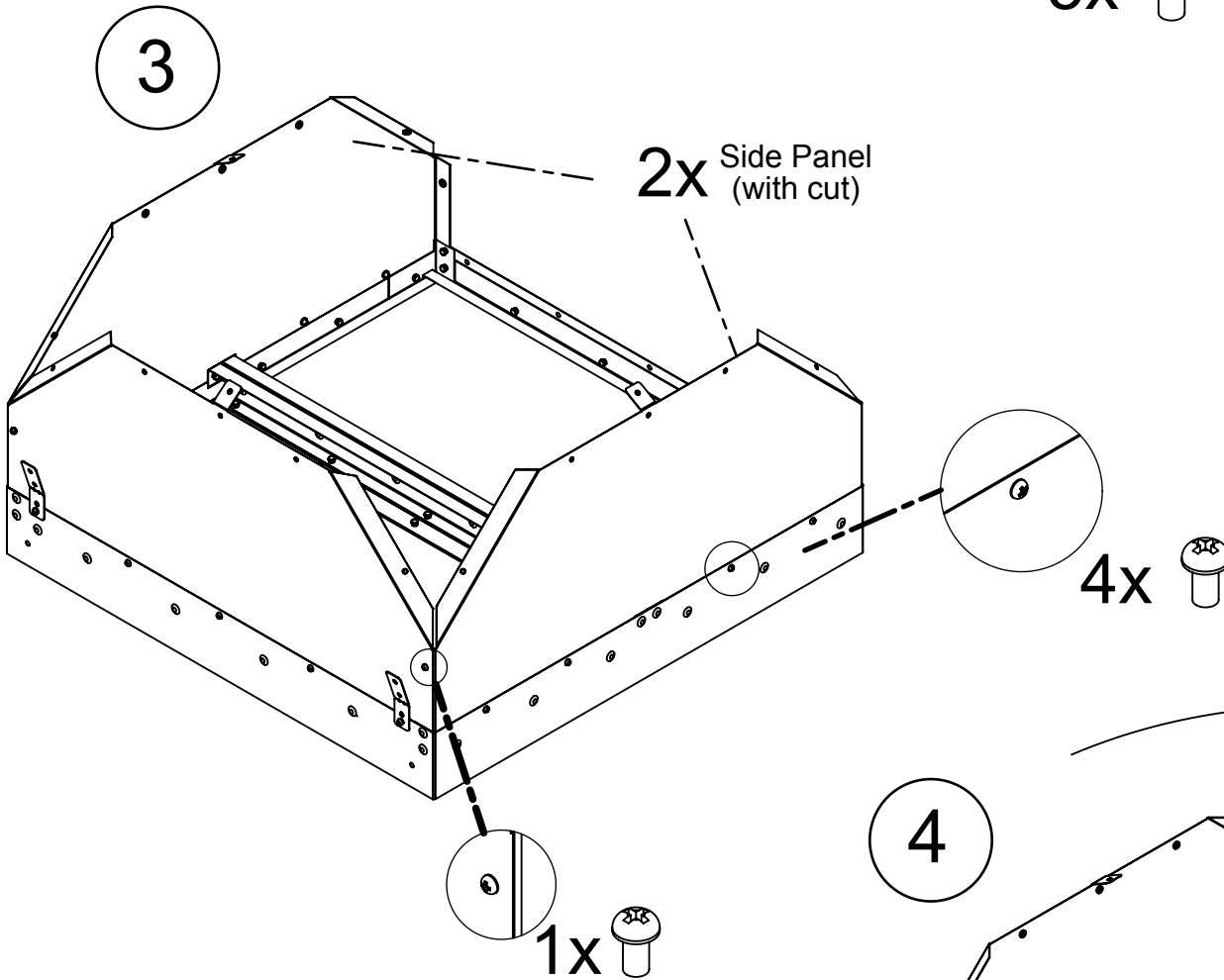


Place the Damper Door Base on a flat surface

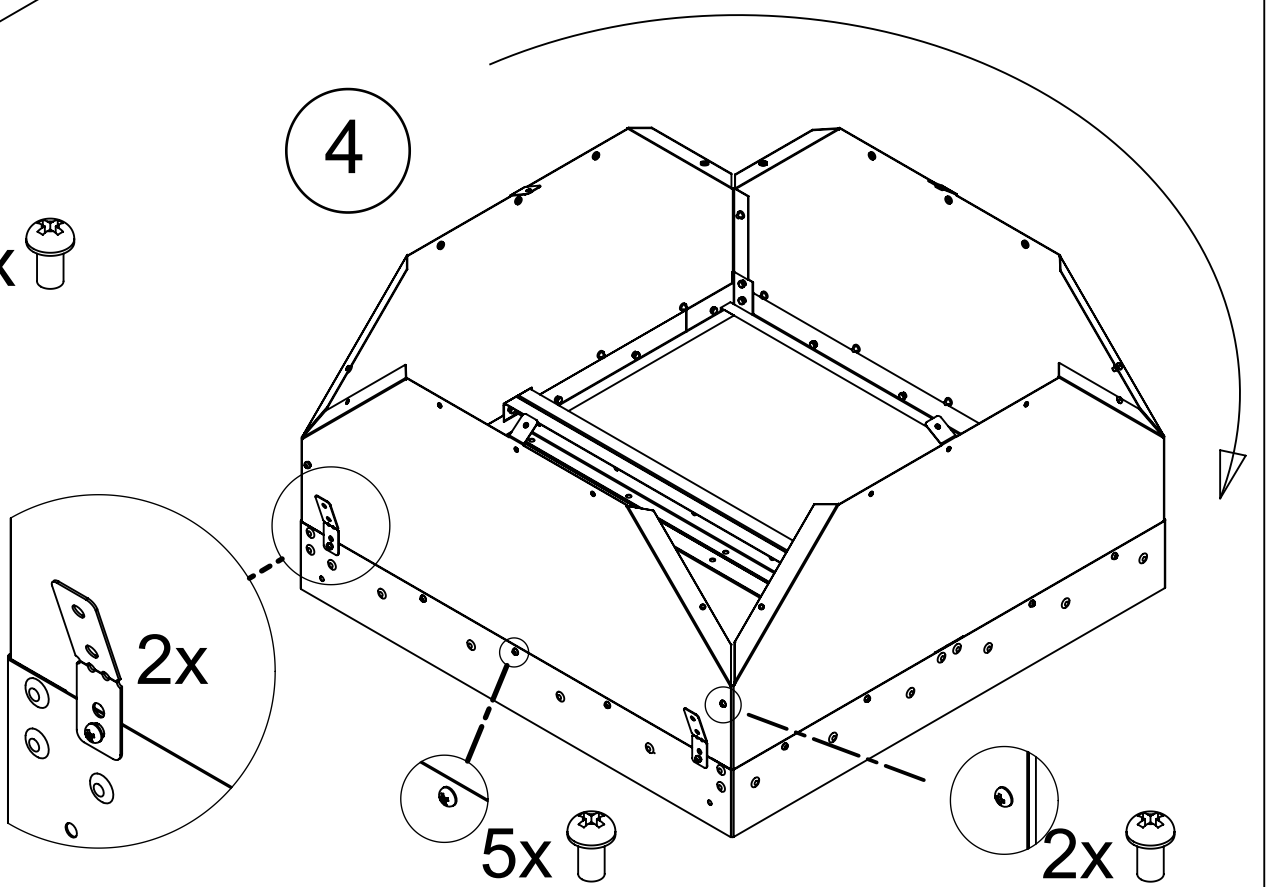
2

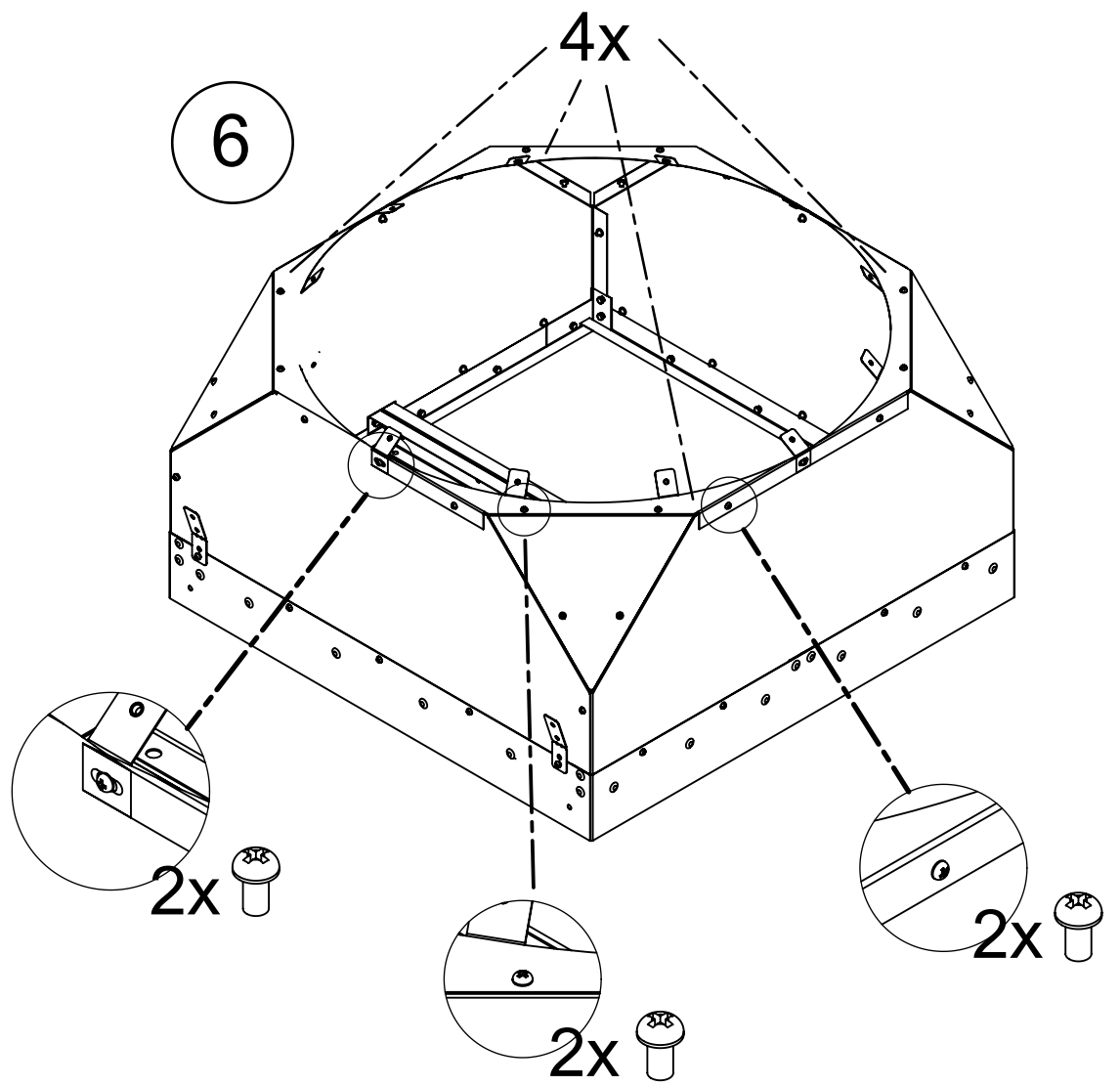
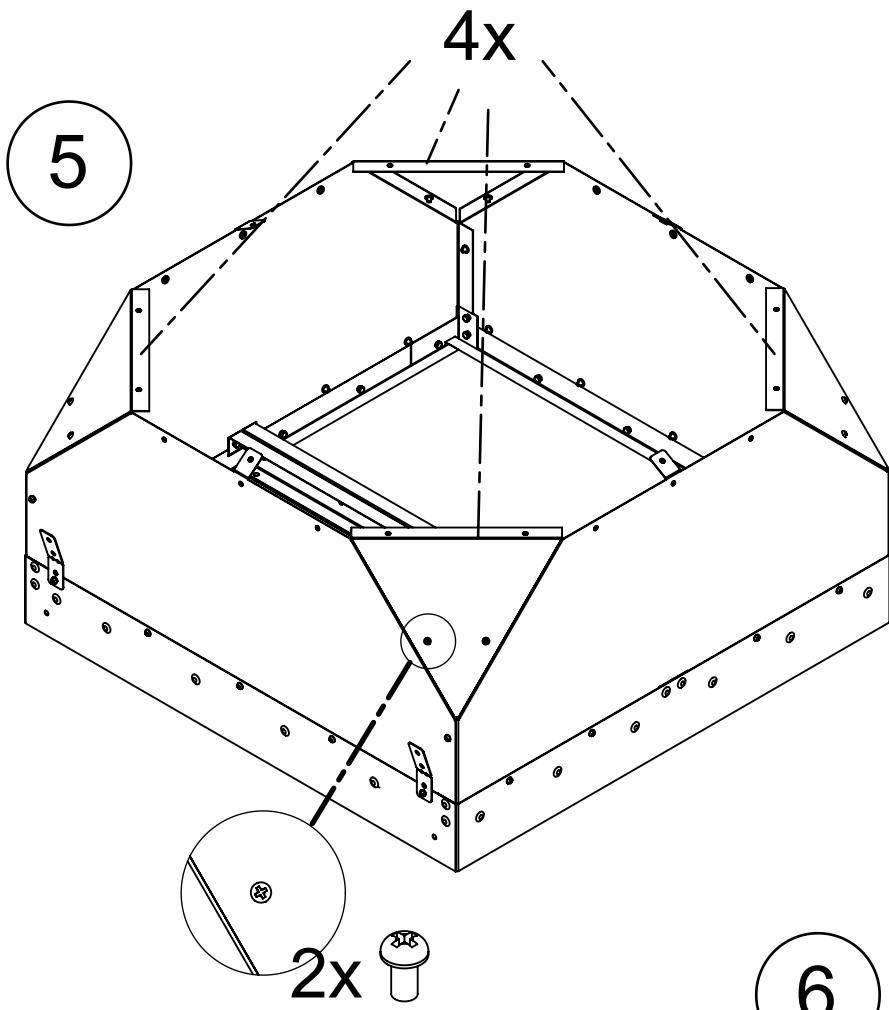


3

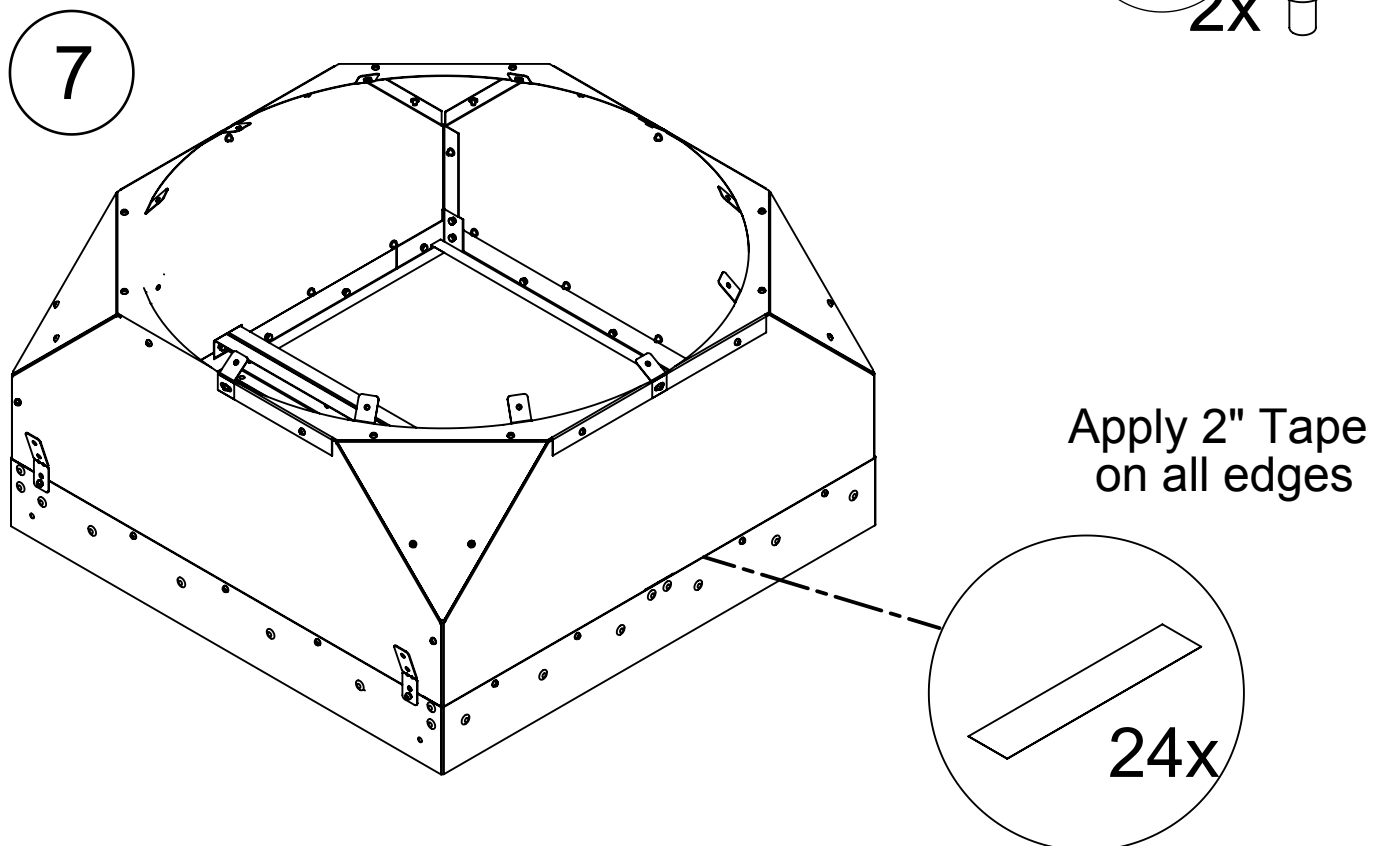


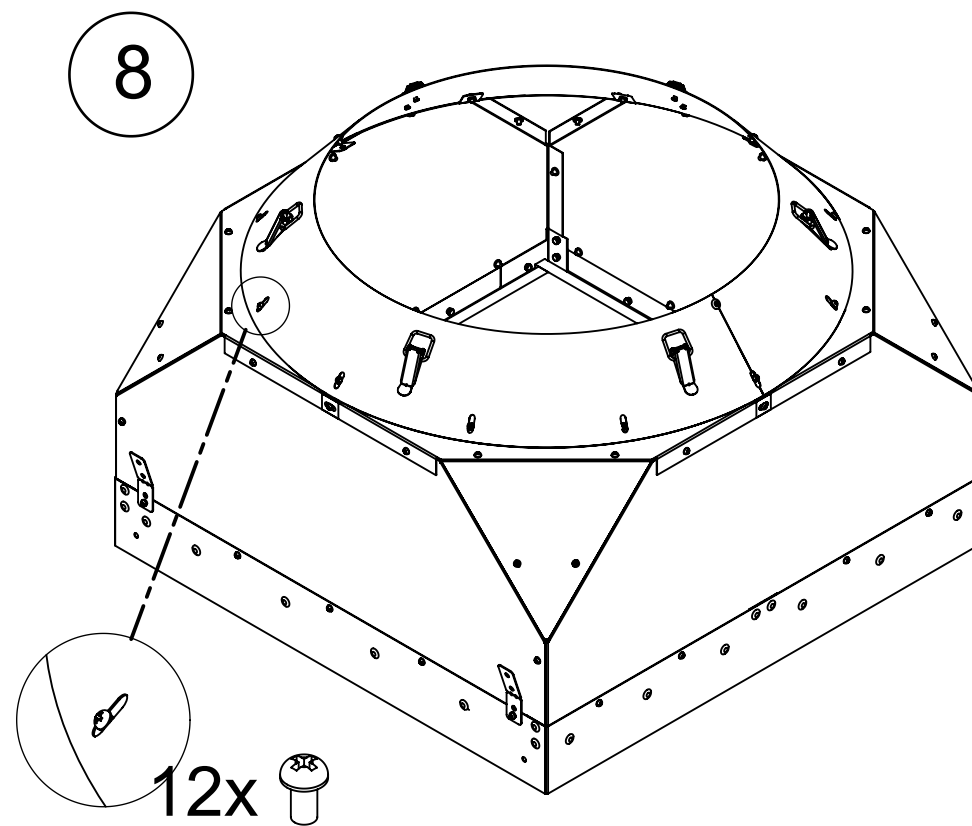
4





Check door operation





BDKD16
Backdraft Damper



Changing the orientation
of the cone can improve
duct alignment

