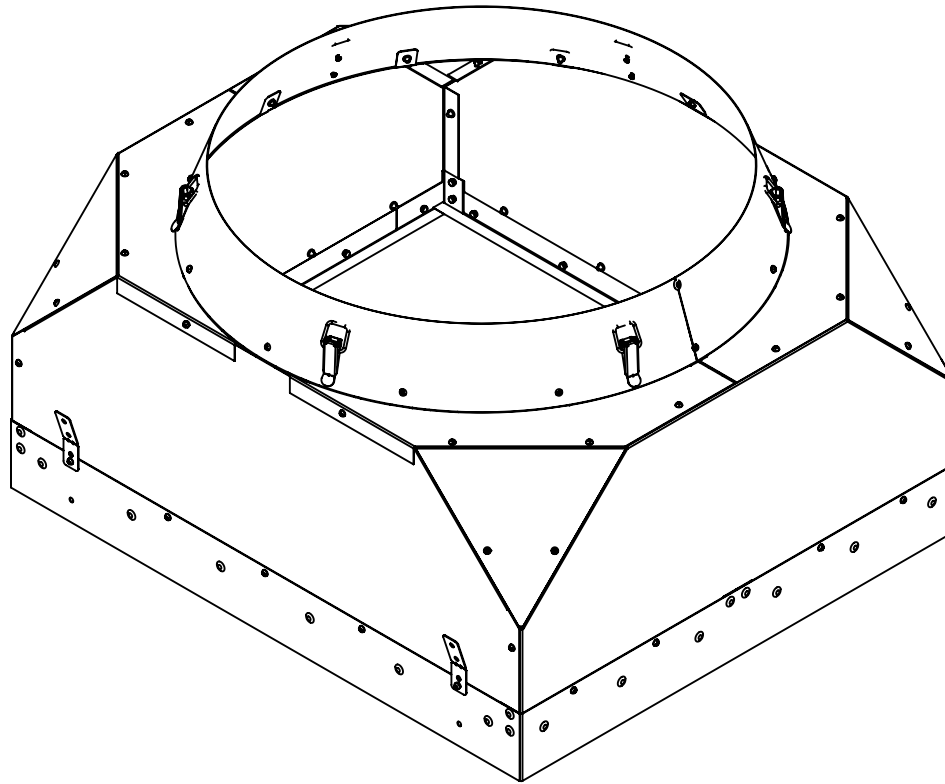
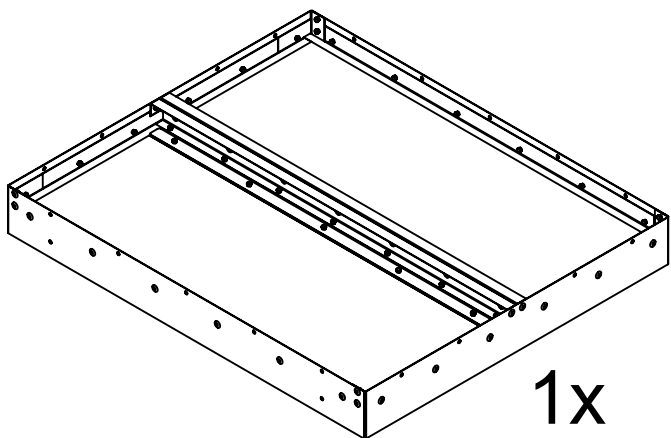


Thank you for your purchase

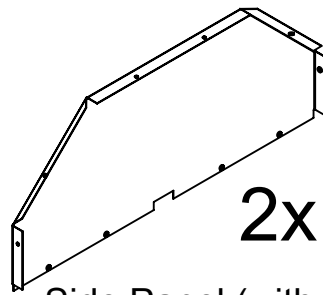


BDKD20

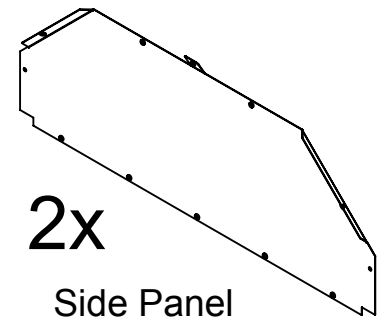
**Backdraft
Damper**



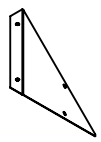
1x
Damper Door Base



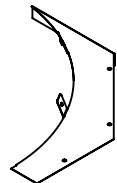
2x
Side Panel (with cut)



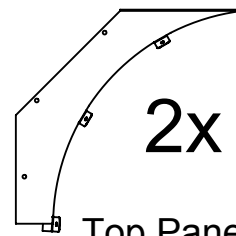
2x
Side Panel



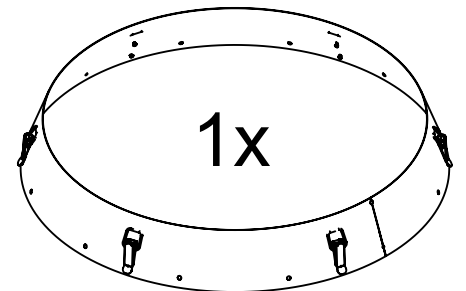
4x
Corner Panel



2x
Top Panel



2x
Top Panel
(with 3 flanges)



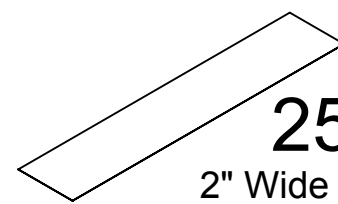
1x
Cone Assembly



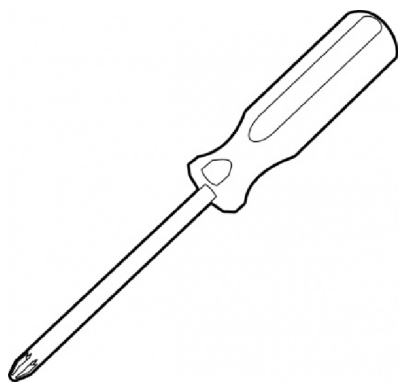
4x
Mounting Bracket



58x
#6-32 x 1/4"
Phillips Head Screw



25ft
2" Wide
Aluminum Tape

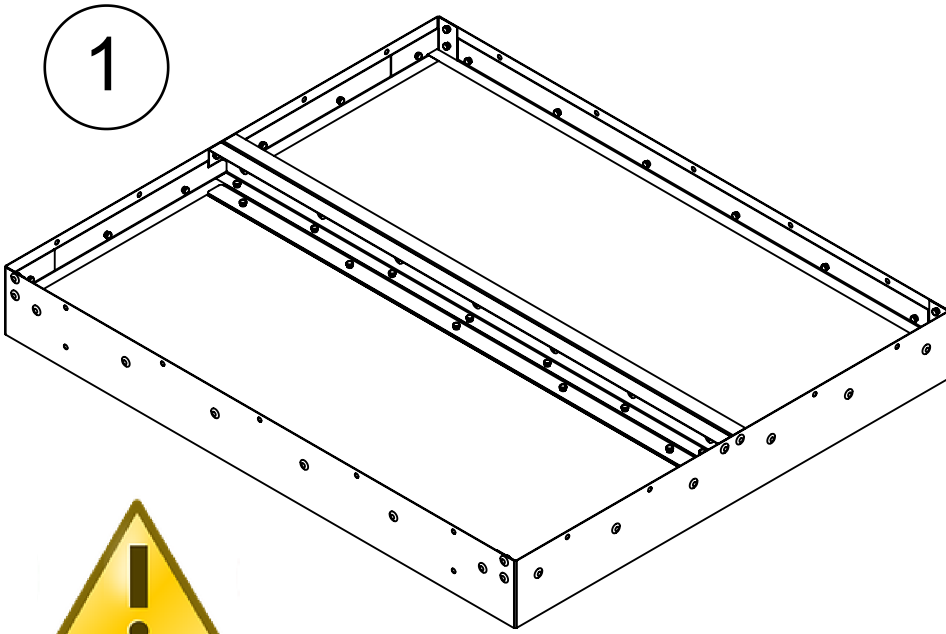


a philips head screw
driver (not included)



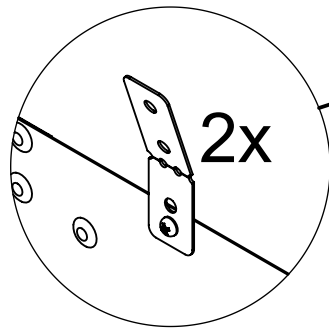
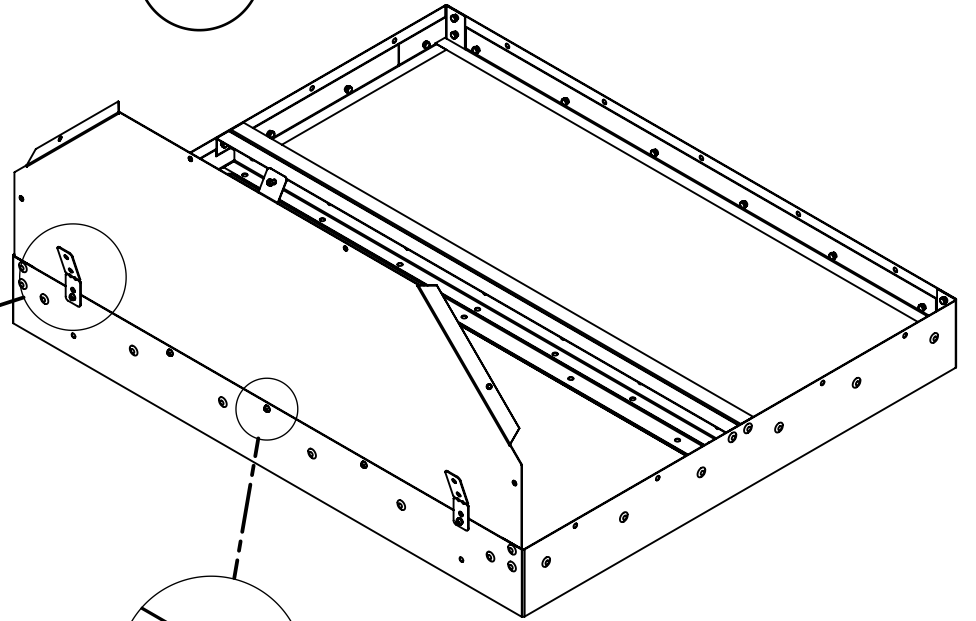
Gloves
(not included)

1

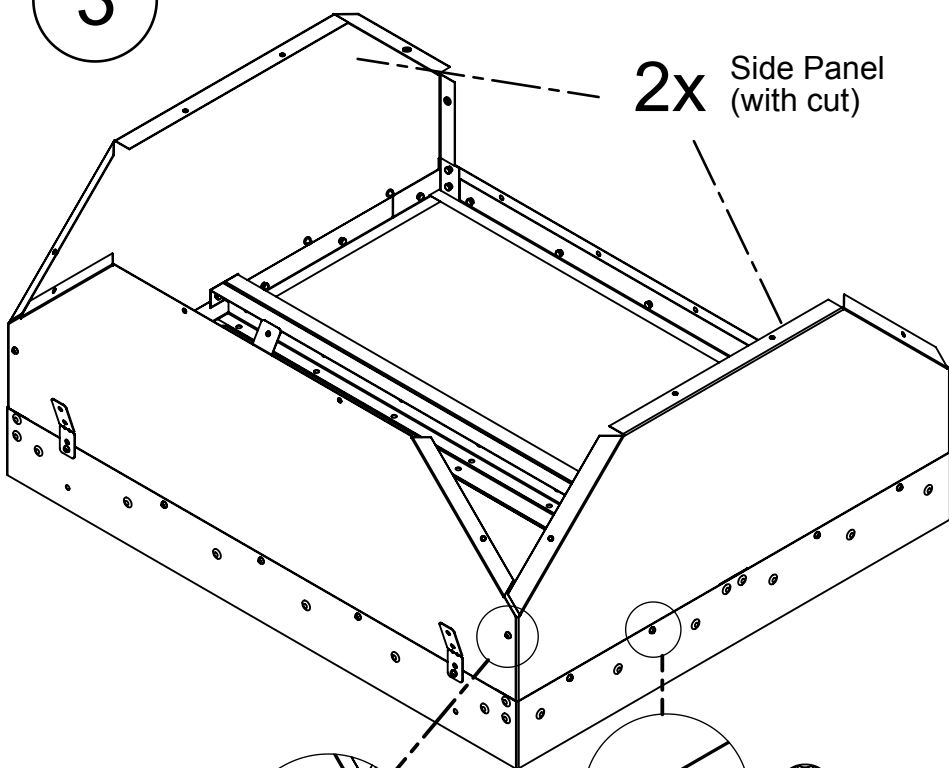


Place the Damper Door Base on a flat surface

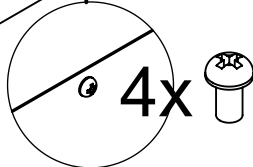
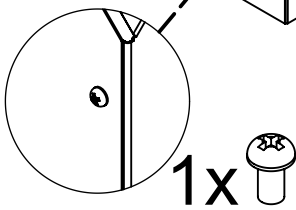
2



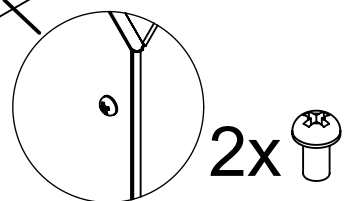
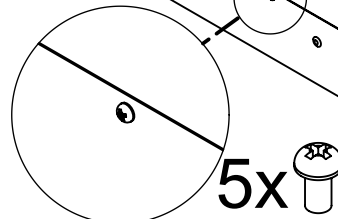
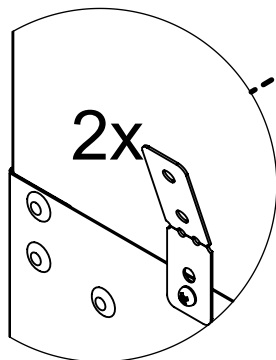
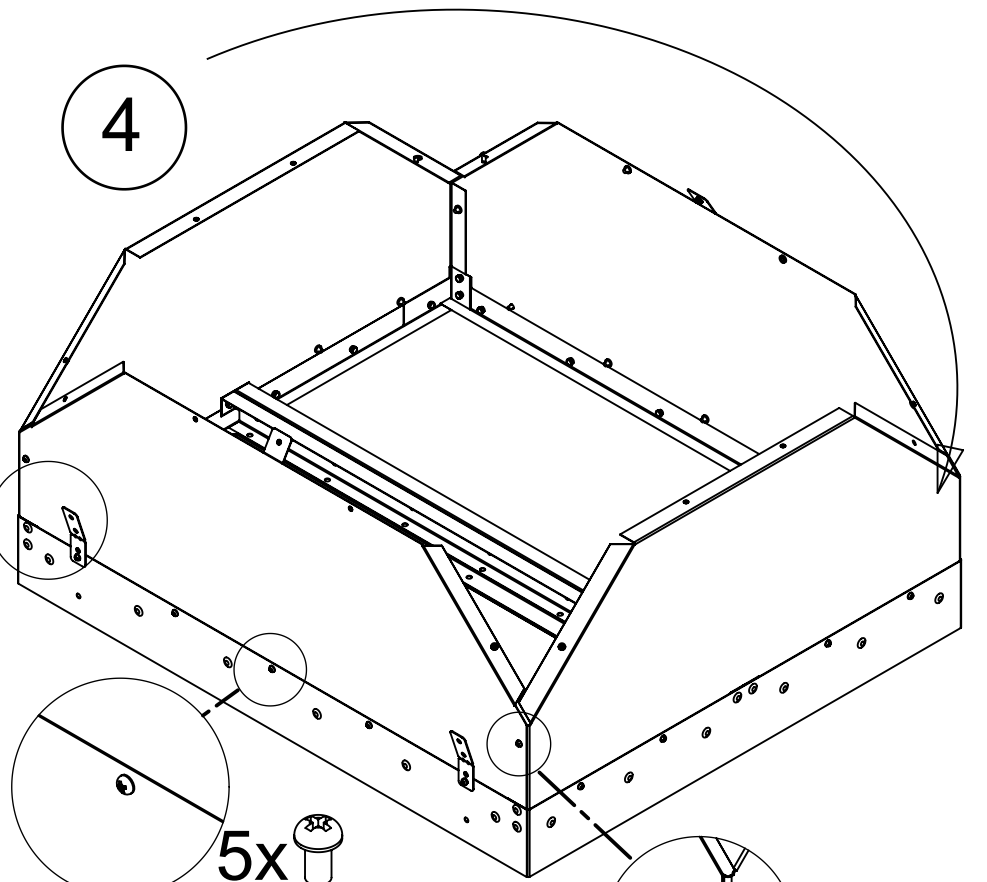
3

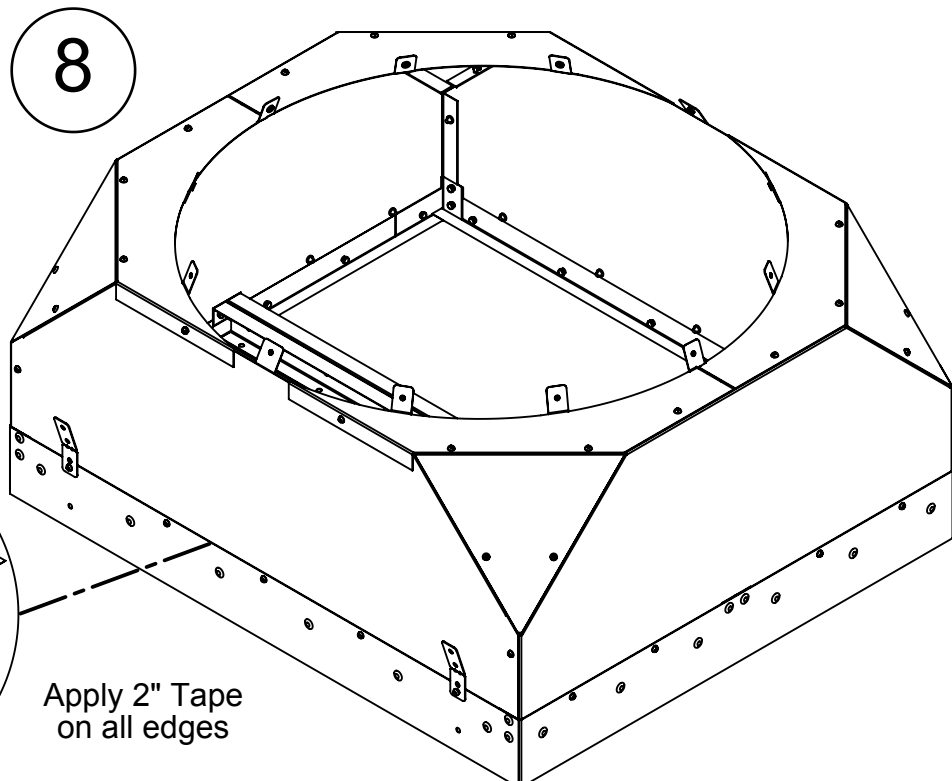
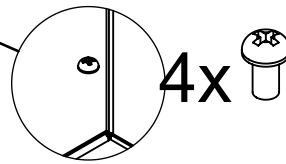
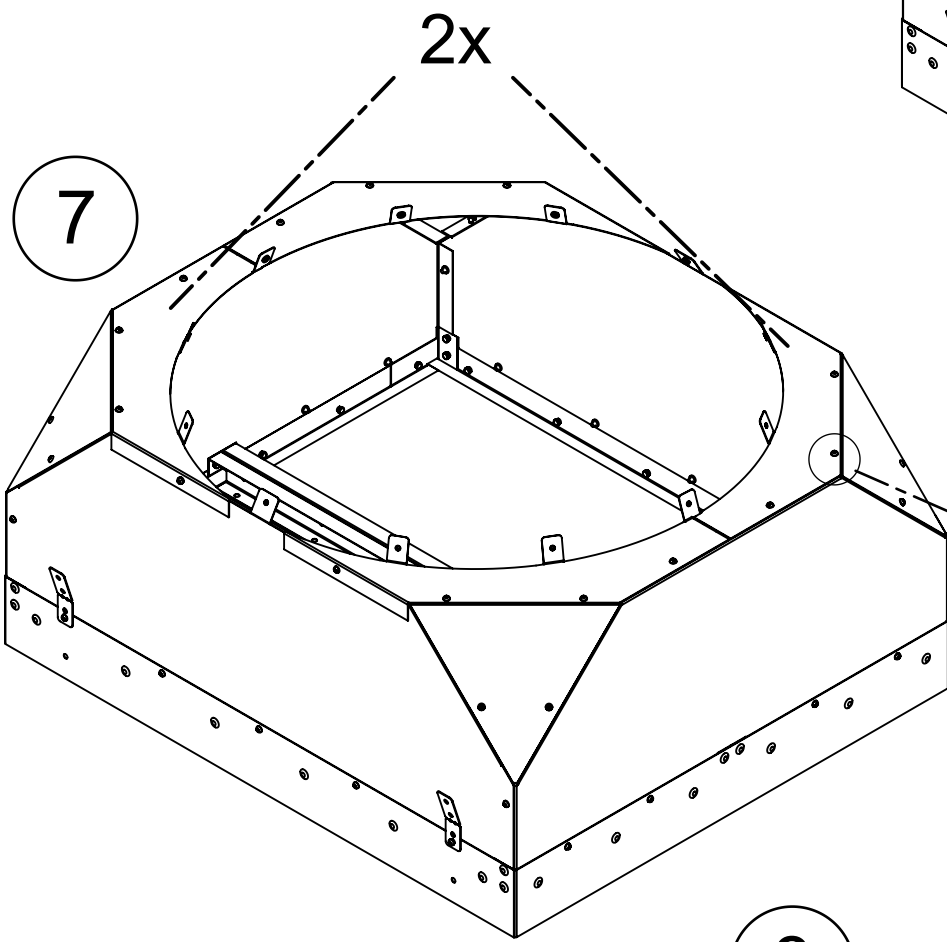
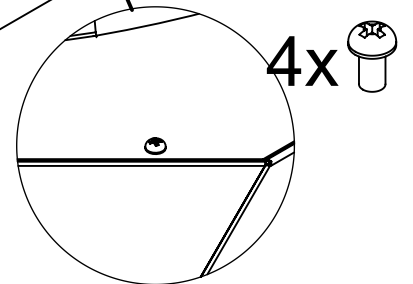
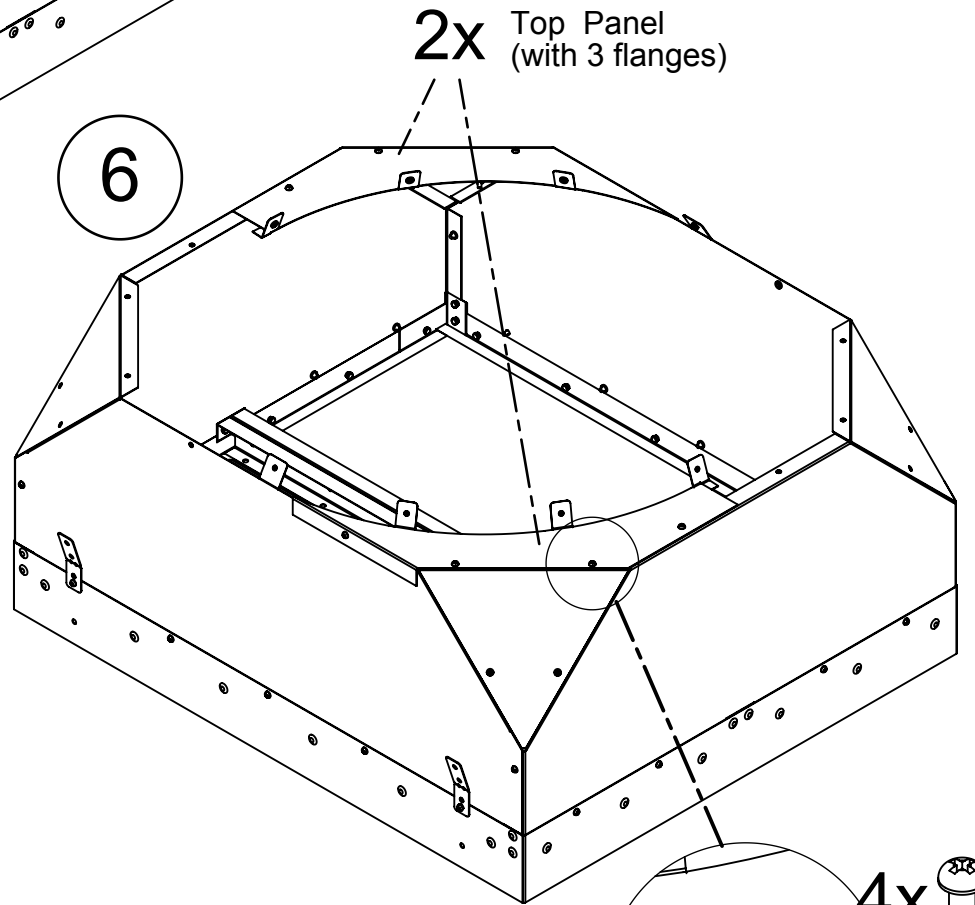
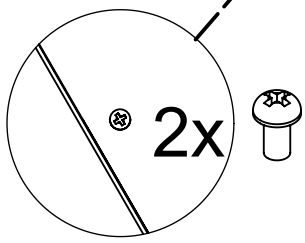
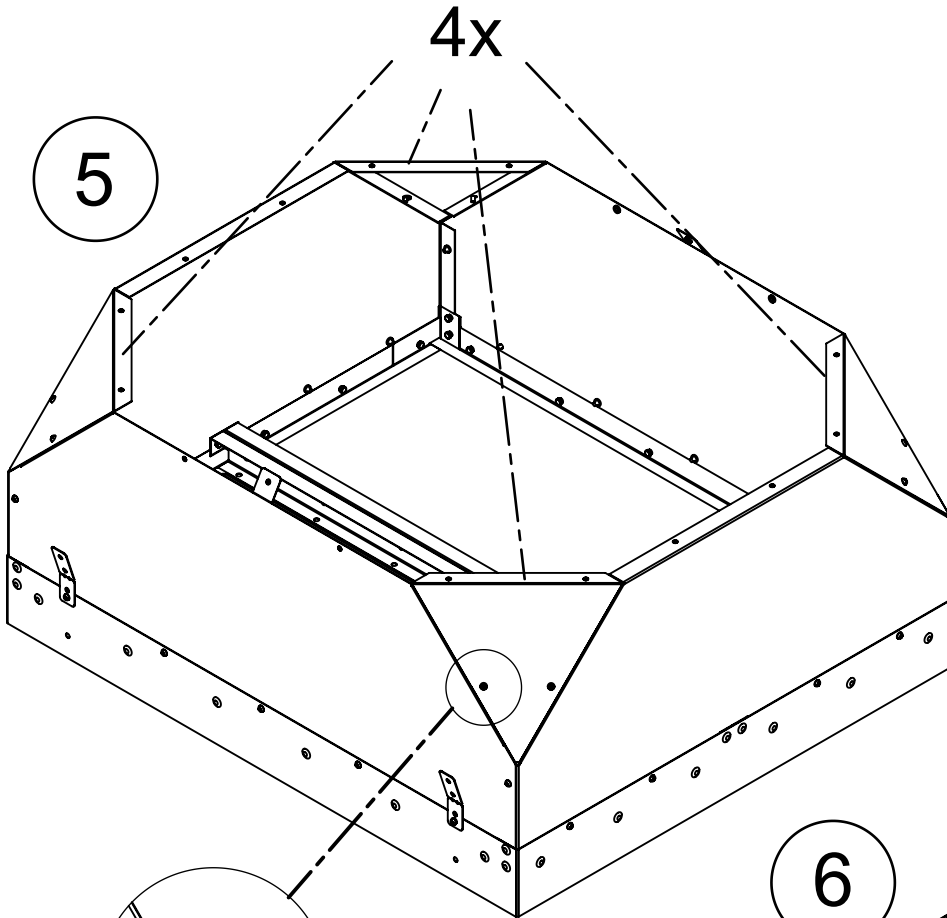


2x Side Panel (with cut)



4

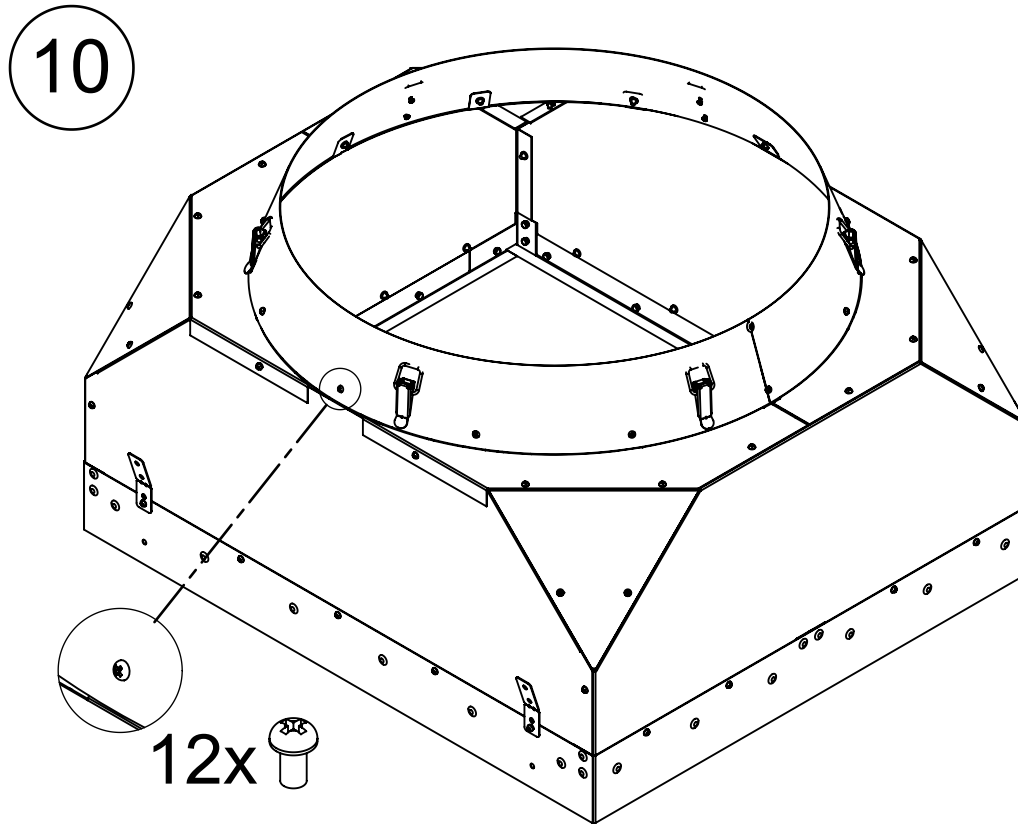




Apply 2" Tape on all edges



Check door operation



BDKD20
Backdraft Damper



Changing the orientation
of the cone can improve
duct alignment

