



# DVS-NF-D & DVS-F-D RECTANGLE-TO-ROUND TRANSITION

**This transition requires additional assembly. Assembly instructions are provided in the supplementary Transition Assembly Instructions included with your unit.**

Installing the transition requires a simple “box” to be built in the home’s framing and an opening into the living space cut. This transition has been designed to fit within a 22½” x 26½” opening; its dimensions are shown at right. Most modern homes have been constructed with either 24” or 16” on-center (“O/C”) spaced joists or studs. This step varies slightly depending on whether the home’s framing is either 24” or 16” O/C.

## For 24” O/C Framing:

Using appropriately sized lumber (e.g. 2”x4”, 2”x6, etc.), install two 22½” long cross peices between the existing framing, creating a box with interior dimensions of 22½” x 26½”. Figure 1 below shows the framing and cross peices as they should be installed.

Cut out the drywall inside the framed box to create a rough opening. To know where to cut, use a stud finder to locate the studs from below or drill pilot holes from above.

Transition Dimensions

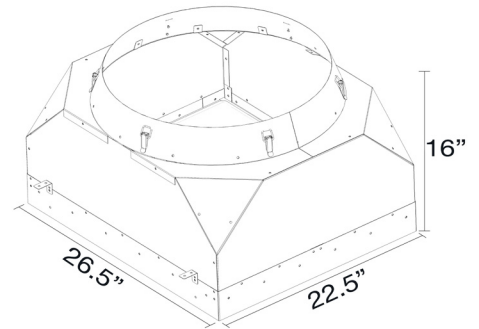


Figure 1

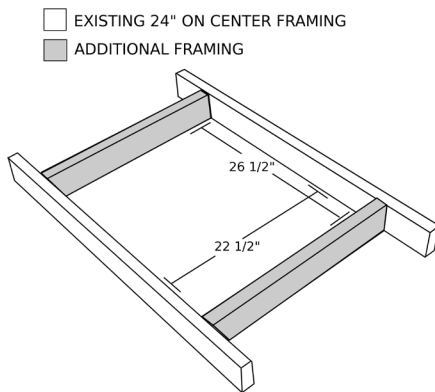


Figure 2a

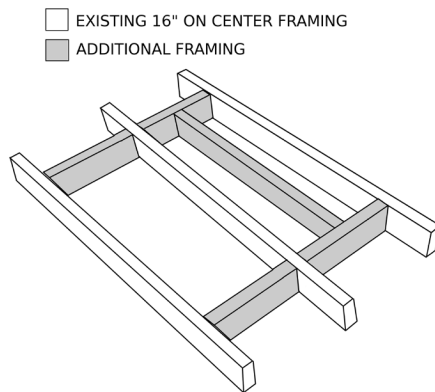
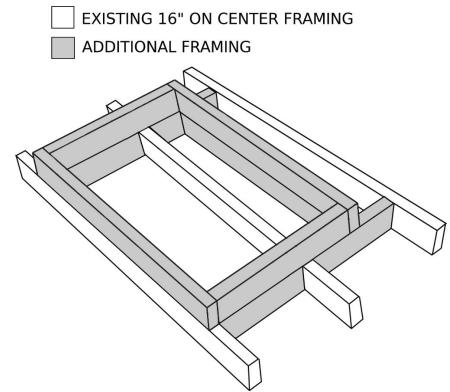


Figure 2b



## For 16” O/C Framing:

Using appropriately sized lumber (e.g. 2”x4”, 2”x6, etc.), install four 14½” long and one 22½” long cross peices between the existing framing, creating a box with interior dimensions of 22½” x 26½”. Figure 2a above shows the framing and cross peices as they should be installed.

Next, use lumber to construct a second frame with interior dimensions of 22½” x 26½”. Attach this new frame on top of the frame created within the joists (as shown in Figure 2b above).

Cut out the drywall inside the framing to create a rough opening. To know where to cut, use a stud finder to locate the studs from below or drill pilot holes from above. The center joist across the opening will not significantly disturb the flow of air to the fan, however, in this configuration, a notch will need to be cut in the Grille in order to accommodate the center joist running across the opening (discussed below).

With the framing installed and rough opening cut. Insert the transition into the framed-in "box". Use wood screws at the mounting brackets shown in Figure 3 to secure the transition to the framing. From the inside of the transition, further secure it with wood screws through the interior pilot holes (also shown in Figure 3)

With the transition secure, connect it to the DVS using the provided flex-duct. As shown in Figure 4, fasten the ductwork to the transition using the hooks on the duct's collar and the latches on the transition's cone. To allow for the best possible fit, the cone can be detached from the transition and rotated. Simply unscrew the phillips head screws connect the two.

Use latex caulk to seal all wood-to-wood and wood-to-metal joints between the transition and the framing. This ensures that all air drawn into the fan will be from within the living space.

Finally, attach the grille to the joists using the 8 provided white head screws. We advise pre-drilling pilot holes for these screws. If the home's framing is 16" O/C, use a dremel tool or hacksaw to cut two notches in the grille's flange to accommodate the middle stud (Figure 6 below shows this notch).

Figure 6: Grille Notch (16" O/C Framing ONLY)

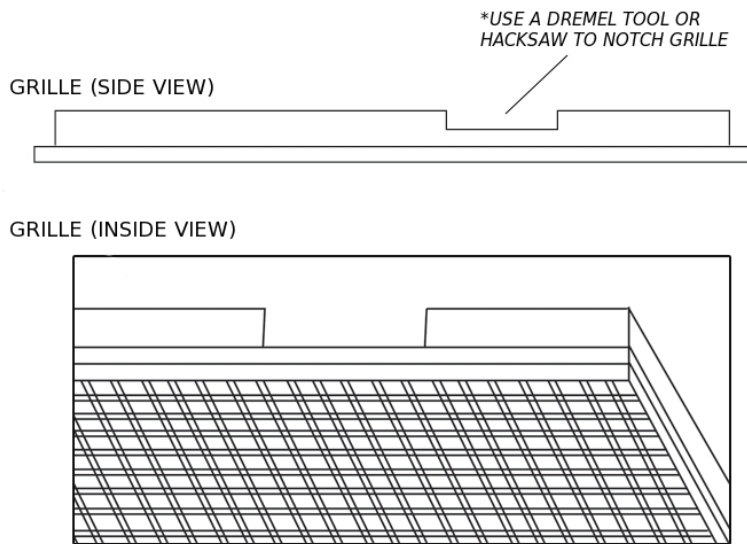


Figure 3

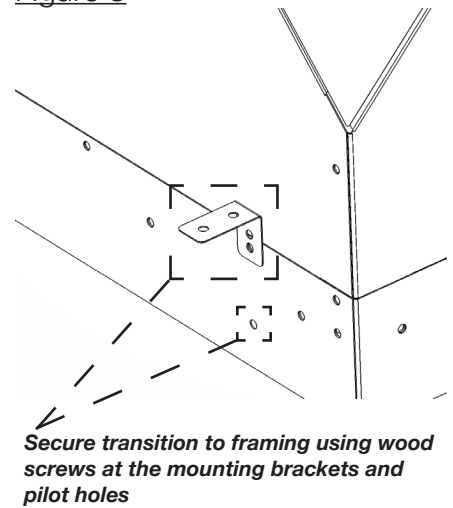


Figure 4

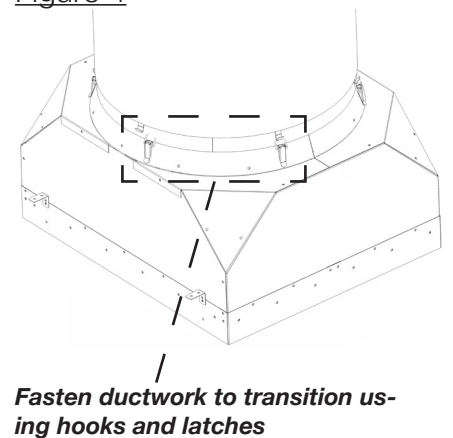


Figure 5

